

For protection of Electronic Telephone Systems, PBX's, KSU's and Key Systems .

## FEATURES & BENEFITS

- UL 497 Listed for primary protection
- Utilizes industry standard 5-pin protector modules
- 66 IDC termination input and output
- High-impact, fire retardant housing
- Units can be cascaded to provide for expansion
- Compact, lightweight design
- AQL Incoming Inspection Process
- ISO 9001:2000 registered facility
- Operating Temperature: -13°F to 149°F (-25°C to 65°C)



## ORDERING INFORMATION

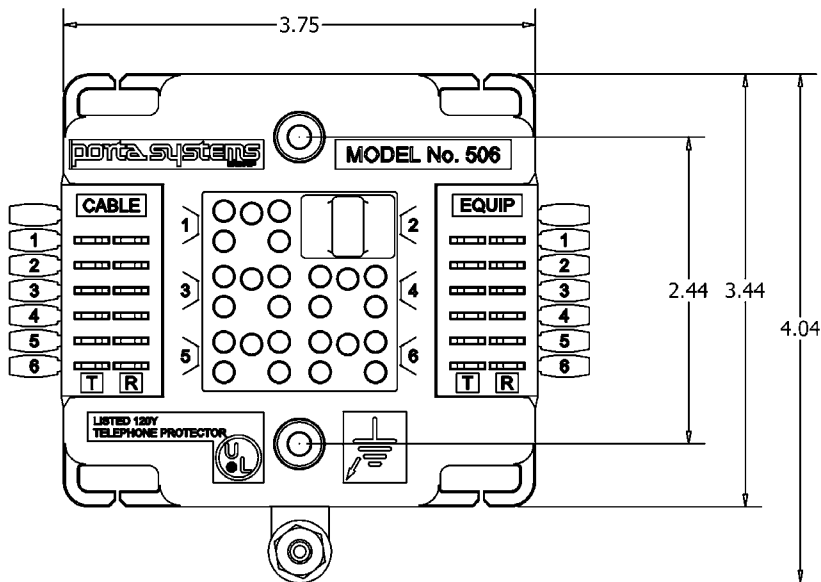
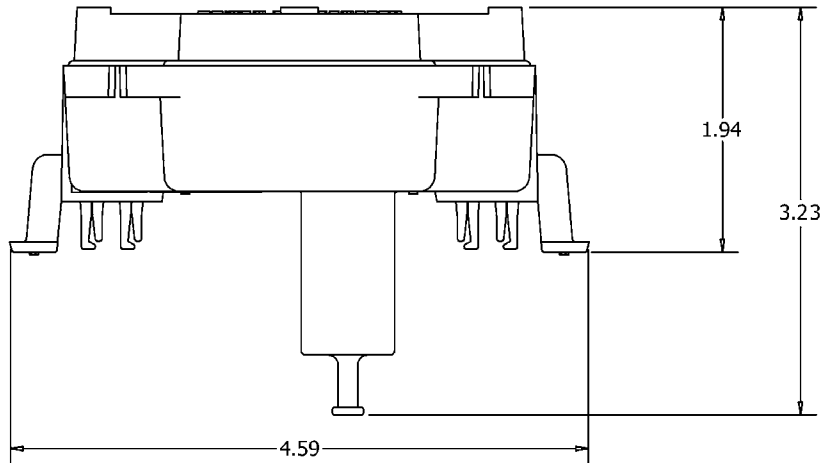
Model#	Pair Count	Input	Output	Modules	Module Model#
506	6	66	66	None	NA
506GT	6	66	66	230V Gas Tube	175BCXN-230
506SS240	6	66	66	240V Solid State	115SCN-240
506SS75	6	66	66	75V Solid State	115SCN-75
506D230	6	66	66	230V Delta	195BCDXN-230
506D75	6	66	66	75V Delta	195BCDXN-75

BUILDING ENTRANCE PROTECTOR

66 Termination



MECHANICAL SPECIFICATIONS FOR 506 BUILDING ENTRANCE TERMINAL:



Pair Count	Dimensions (height x width x depth)	Weight (approx.)*
6 PAIR	4" x 4.6" x 3.3" (10 cm x 11.7 cm x 8.2 cm)	2 lbs.

\* Weight - Add approx 0.5 oz per installed module.



For more information contact:  
 141 Rodeo Dr.  
 Edgewood, NY 11717  
 T. 631.789.5000  
 Toll Free 888.844.4720  
 F. 631.789.5063  
 sales@tiinetech.com  
 www.tiinetech.com