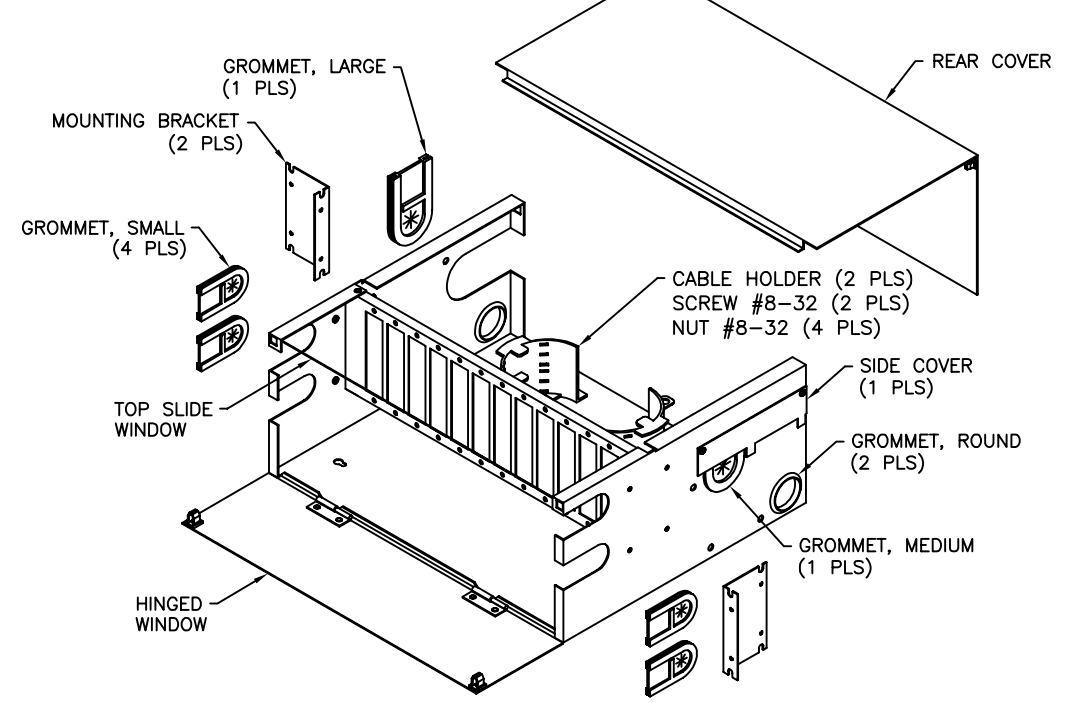
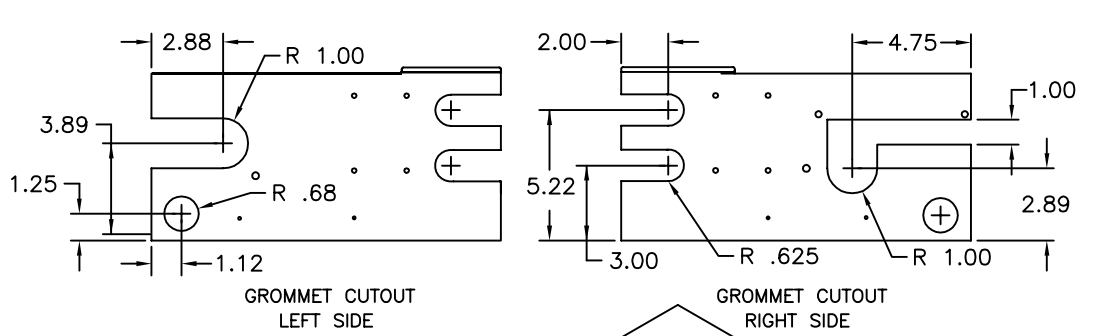
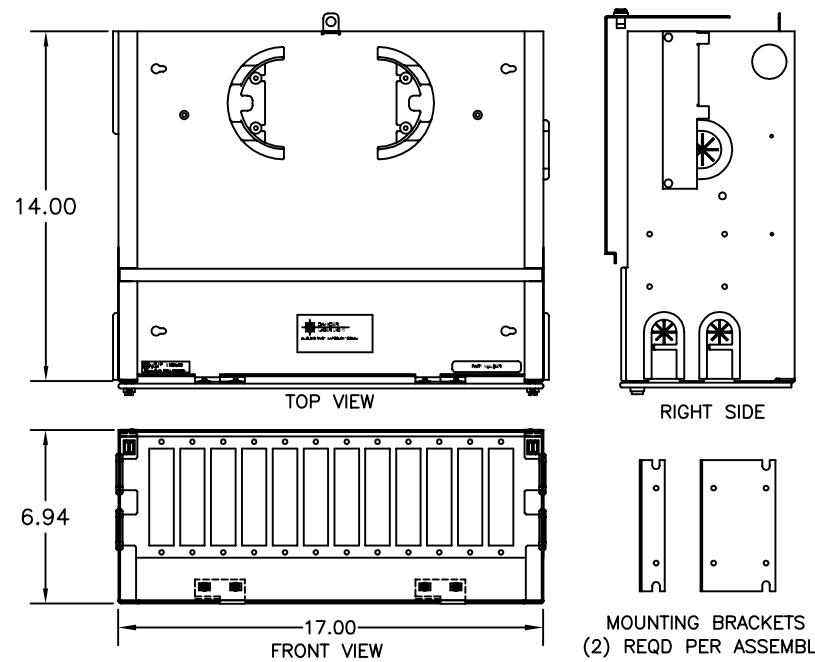


REV		SHT		DESCRIPTION		DATE	ECN	CHECKED
A	ALL	RELEASE	NEW			7/16/01	NEW	RBS
B	-	UPDATED:	DRAWING VIEWS FOR REDESIGN OF PRODUCT			10/26/04	-	DAH




## SPECIFICATIONS

### FEATURES & BENEFITS:

- OPTICAL CABLE CORPORATIONS, FIBEROPTICX (RTC SERIES) RACK MOUNT FIBER OPTIC CROSS CONNECT CABINETS PROVIDE FIBER MANAGEMENT, CONNECTIVITY AND DISTRIBUTION FOR 6 TO 288 FIBERS. ACCOMMODATES ALL CROSS CONNECT FUNCTIONS (SPlicing, TERMINATION, AND INTERCONNECTION) FOR OUTSIDE PLANT, BACKBONE, AND BUILDING CABLES.
- ACCOMMODATES SNAP-IN ADAPTER PLATES. RTC CABINET PORT COUNT IS BASED ON 6 PORT ADAPTER PLATES. (EXAMPLE: RTC18A ACCOMMODATES THREE 6 PORT ADAPTER PLATES.) HIGHER DENSITY ACHIEVED WITH 8 OR 12 PACK ADAPTER PLATES. (EXAMPLE: RTC72A CAN ACCEPT 96 PORTS UTILIZING 8 PACK ADAPTER PLATES.)
- RTC CABINETS CAN BE ORDERED EMPTY, LOADED, OR CUSTOM-CONFIGURED TO YOUR PARTICULAR SPECIFICATIONS.
- RTC CABINETS PROVIDE HI-DENSITY PATCH & SPLICE CAPABILITIES. INNOVATIVE FIBER MANAGEMENT SYSTEM USES TWO TIER FIBER STORAGE HOOPS DESIGNED TO MAINTAIN ORDERLY FIBER MANAGEMENT. INTEGRAL STRAIN RELIEF BARS AND PLASTIC GROMMETS PROVIDE RELIABLE CABLE PROTECTION AT ALL CABLE ENTRANCES AND EXITS.
- RUGGED 16-GAUGE STEEL CONSTRUCTION WITH A DURABLE POWDER COAT FINISH. CABINET COLOR: A = ALMOND, B = BLACK.
- HINGED DOORS AND REMOVABLE COVER PROVIDE EASY FRONT AND REAR ACCESS. FRONT AND REAR ACCESS ALLOWS STACKING MULTIPLE RTC CABINETS ON STANDARD 19" AND 23" RACKS.
- STANDARD UNIVERSAL MOUNTING BRACKETS TO FIT 19" AND 23" RACKS OR CABINETS. MOUNTING HARDWARE INCLUDED WITH RTC CABINETS. OPTIONAL RECESS BRACKETS ALLOW CABINETS TO FIT FLUSH WITH RACK.

- RTC CABINETS WITH FRONT & REAR LOCKING CAPABILITY IS OPTIONAL. EXAMPLE: RTC72SA, WHERE L = LOCKING OPTION.
- ACCOMMODATES PLP® COYOTE™ SPLICE TRAYS.
- ALL PLASTIC COMPONENTS ARE HIGH IMPACT SELF-EXTINGUISHING UL LISTED RATING 94V-0.

RTC72SB	CABINET, RACK MT, 72P, STORAGE, BLACK
RTC72SB	CABINET, RACK MT, 72P, STORAGE, ALMOND
OCC PART NO.	DESCRIPTION
<b>UNCONTROLLED COPY</b>	
UNLESS OTHERWISE SPECIFIED DIMENSIONS ARE IN INCHES TOLERANCES: FRACTIONS ±.132 ANGLES ±12° 3 PLACE DECIMALS = .003 2 PLACE DECIMALS = .01	THIS DRAWING AND THE DESIGN SHOW ARE THE PROPERTY OF OPTICAL CABLE CORPORATION AND MAY NOT BE USED AS THE BASIS FOR MANUFACTURE OR SALE WITHOUT SPECIFIC WRITTEN PERMISSION OF OPTICAL CABLE CORPORATION.
DRAWN BY D.A.HOLBERT	DATE 7/16/01
CHECKED BY R.B.SMITH	DATE 11/15/01
ENGINEER J.YANIK	DATE 7/16/01
APPROVED A.PIATEK	DATE 10/26/04
PREVIOUS DWG	
NEXT DWG	
MATERIAL SEE BILL OF MATERIAL	FINISH SEE NOTES
THIRD ANGLE PROJECTION	
CRITICAL DIMENSION CODE	
(F) = FUNCTION	
(M) = MATING	
(A) = AUDIT	
	
5290 Concourse Drive Roanoke, VA 24019 Phone: 800-622-7711 Fax: 540-266-0724 www.occfiber.com	
DWG TITLE: RACK MOUNT ASSEMBLY, FIBER OPTIC CABINETS, WITH STORAGE, RTC72S	
SIZE C	DWG NO. C101480
REV B	
FILENAME C101480B.DWG	SCALE NONE
SHEET 1 OF 1	