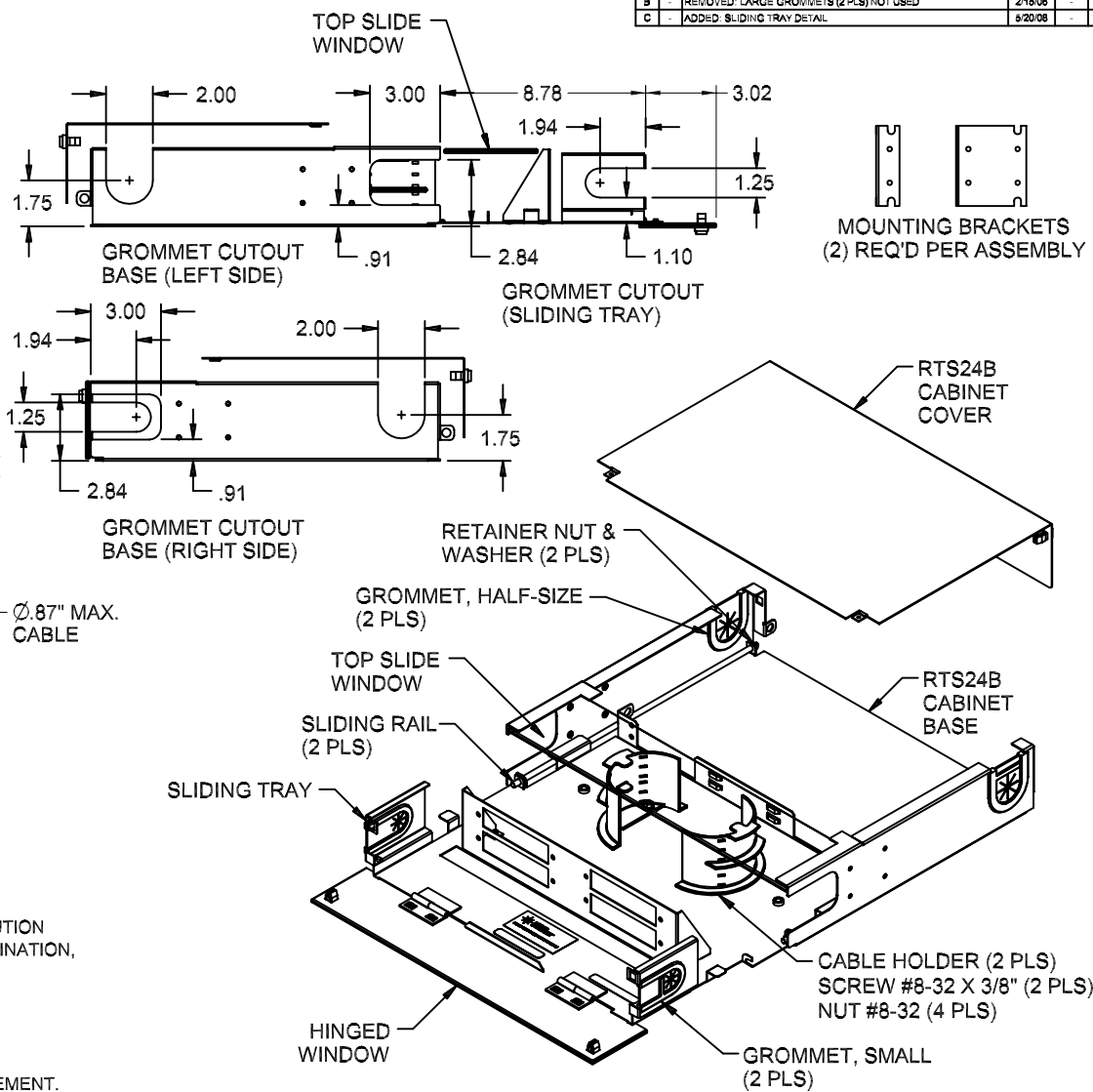
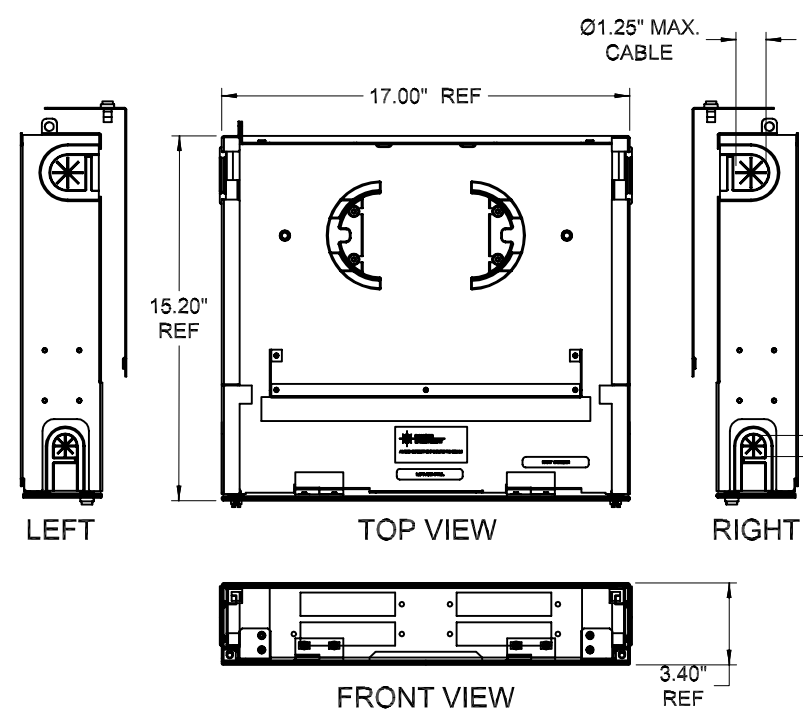


REVISION HISTORY				
REV	SHIT	DESCRIPTION	DATE	CHKD
A	ALL	RELEASE NEW	4/27/05	NEW JFY
B	-	REMOVED LARGE GROMMETS (2 PLS) NOT USED	2/16/06	- RBS
C	-	ADDED SLIDING TRAY DETAIL	8/20/08	- RBS

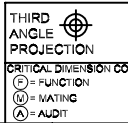


SPECIFICATIONS

FEATURES & BENEFITS:

- OPTICAL CABLE CORPORATIONS, FIBEROPTICX (RTS SERIES) LOW PROFILE FIBER OPTIC CROSS CONNECT DRAWERS PROVIDE FIBER MANAGEMENT, CONNECTIVITY, AND DISTRIBUTION FOR 6 TO 48 FIBERS. ACCOMMODATES ALL CROSS CONNECT FUNCTIONS (SPlicing, TERMINATION, AND INTERCONNECTION) FOR OUTSIDE PLANT, BACKBONE, AND BUILDING CABLES.
- ACCOMMODATES SNAP-IN ADAPTER PLATES. RTS DRAWER PORT COUNT IS BASED ON 6 PORT ADAPTER PLATES. ADAPTER PLATES ORDERED SEPARATELY.
- RTS DRAWERS PROVIDE SPLICE CAPABILITIES. INNOVATIVE FIBER MANAGEMENT SYSTEM USES TWO TIER FIBER STORAGE HOOPS DESIGNED TO MAINTAIN ORDERLY FIBER MANAGEMENT. INTERGRAL STRAIN RELIEF BARS AND PLASTIC GROMMETS PROVIDE RELIABLE CABLE PROTECTION AT ALL CABLE ENTRANCES AND EXITS.
- RUGGED 16-GAUGE STEEL CONSTRUCTION WITH A DURABLE POWDER COAT FINISH. RTS DRAWER COLOR: B = BLACK.
- HINGED DOORS AND REMOVABLE COVER PROVIDE EASY FRONT AND REAR ACCESS. FRONT AND REAR ACCESS ALLOWS STACKING MULTIPLE RTS DRAWERS ON STANDARD 19\"/>

UNCONTROLLED COPY



RTS24B		CABINET, RACK MOUNT, 24 PORT, SLIDING TRAY, BLACK	
OCC PART NO.		DESCRIPTION	
UNCONTROLLED COPY			
UNLESS OTHERWISE SPECIFIED DIMENSIONS ARE IN INCHES TOLERANCES: FRACTIONS ±.125 ANGLES ±12° 3 PLACE DECIMALS = .005 2 PLACE DECIMALS = .01		THIS DRAWING AND THE DESIGN SHOWN ARE THE PROPERTY OF OPTICAL CABLE CORPORATION AND MAY NOT BE USED AS THE BASIS FOR MANUFACTURE OR SALE WITHOUT SPECIFIC WRITTEN PERMISSION OF OPTICAL CABLE CORPORATION.	
DRAWN	D.A. HOLBERT	DATE	4/27/05
CHECKED	J. MALTAIS	DATE	4/28/05
ENGINEER	J. YANIK	DATE	4/27/05
APPROVED	R. B. SMITH	DATE	5/20/05
PREVIOUS DWG			
NEXT DWG		FILENAME	C106551C.DWG
MATERIAL		SEE BILL OF MATERIAL	
FINISH		SEE NOTES	
DWG TITLE		CUSTOMER DRAWING, CABINET ASSY, RTS DRAWER, RACK MOUNT, 24 PORT	
SIZE	C	DWG NO.	C106551
REV	C	SCALE	NONE
		SHEET	1 OF 1