

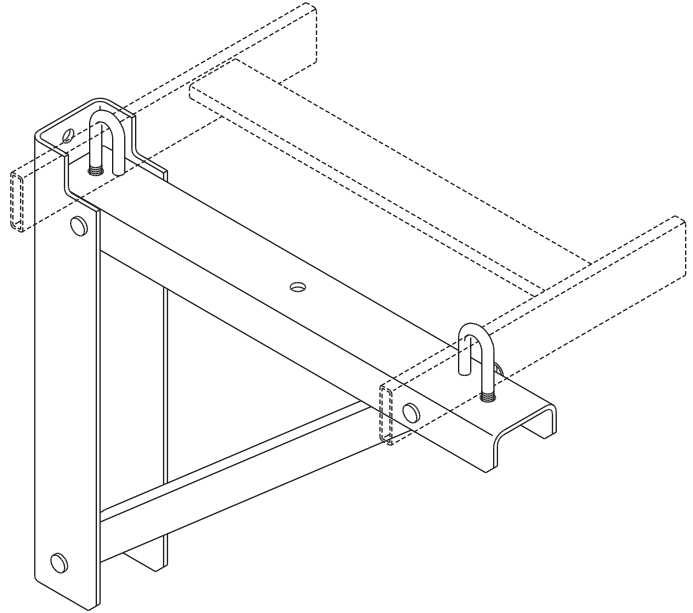
# Product Cut Sheet

## TRIANGULAR SUPPORT BRACKET, STEEL

Triangular bracket provides wall support for cable runway.  
Made of cold rolled steel. Weight capacity is 400 lb.

■ Kit consists of:

- 1 vertical wall mounting bracket
- 1 runway support channel
- 1 angle support channel
- 3 each clevis pins (5/16" diameter)
- 3 each cotter pins
- 2 each 5/16-18 x 2 1/4" J-bolts
- 2 each 5/16-18 hex nuts
- 2 each 5/16 lock washers



Part Number	Runway Widths	Color	Shipping Weight
11746-112	6", 12"	Gray	5 lb
11746-118	18"	Gray	8 lb
11746-124	24"	Gray	9 lb
11746-212	6", 12"	White	5 lb
11746-218	18"	White	8 lb
11746-224	24"	White	9 lb
11746-712	6", 12"	Black	5 lb
11746-718	18"	Black	8 lb
11746-724	24"	Black	9 lb
11746-012	6", 12"	Gold	5 lb
11746-018	18"	Gold	8 lb
11746-024	24"	Gold	9 lb

800-834-4969 in U.S. & Canada • [www.chatsworth.com](http://www.chatsworth.com)



CHATSWORTH PRODUCTS, INC.

©2010 Chatsworth Products, Inc. All rights reserved. CPI, CPI Passive Cooling, MegaFrame, Saf-T-Grip, Seismic Frame, SlimFrame, TeraFrame, Cube-iT Plus, Evolution, OnTrac, and QuadraRack are federally registered trademarks of Chatsworth Products, Inc. GlobalFrame, Simply Efficient and Velocity are trademarks of Chatsworth Products, Inc. All other trademarks belong to their respective companies. 12/10