

FPR3SP Six-Pack Fiber Optic Interconnection Shelf *with Recessed Patch Cord Protection*



Hubbell's FPR3SP fiber optic interconnection shelf is an economical and efficient way to organize and protect fiber connections and splice trays in rack mount fiber optic applications. This shelf is especially useful in situations where a high density of patch cord terminations is required. The shelf is designed to fit in a single rack-space (1U) and accepts three snap-in Six-Pack adapter panels for a standard port capacity of 18 fiber connections. The Six-Pack adapter panels are recessed horizontally in the hinged swing-out tray for superior patch cord protection. Snapping in Hubbell's high density Six-Pack adapter panels provide a total port capacity of 24 ST or 36 SC ports*.

These cabinets are constructed of extremely durable, high quality, 16 gauge cold rolled steel (CRS) and finished off with an aesthetically pleasing black electrostatically applied powder paint. The integral hinged swing-out connection tray assures that the fiber bend radius is not exceeded when accessing the splices or connectors. Additional patch cord protection and cable management can be provided with Hubbell's FPRBRKT1 cable management bracket/guard and Velcro-style cable fasteners.*

* Contact Hubbell for information on the Six-Pack adapter panels and accessories available for these shelves.

FEATURES

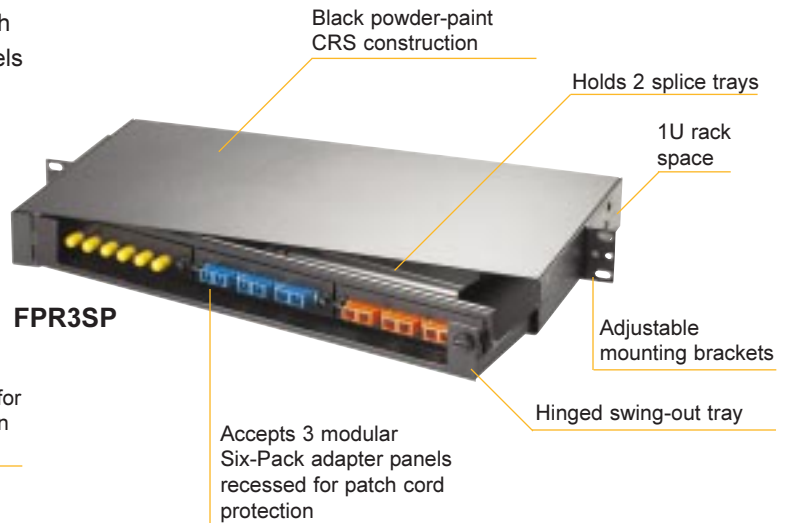
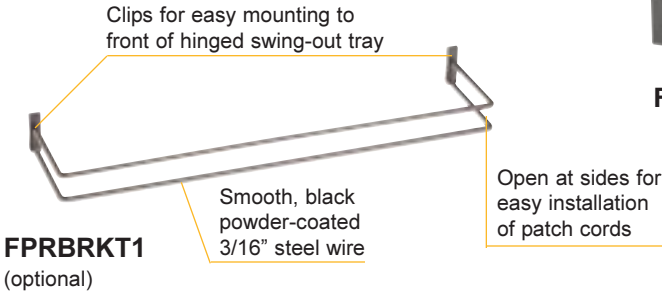
- Accepts up to 3 Six-Pack adapter panels
- Capable of mounting 2 splice trays
- Swing-Out splice and connector tray
- Single rack-space (1U) footprint
- 16 gage CRS construction
- Recessed Six-Pack adapter panels
- Flush or extended 19" or 23" rack mounting

BENEFITS

- ➔ 6, 12, 18, 24 or 36 port capacities
- ➔ Flexibility for pigtail fiber connections
- ➔ Protects against exceeding the fiber bend radius
- ➔ Rack space efficiency
- ➔ Durability and reliability
- ➔ Patch cord connector protection
- ➔ Flexible installation configurations

FPR3SP SPECIFICATIONS

- 18-port standard interconnection capacity (36-ports with high-density adapter panels): 3 Six-Pack adapter panels
- 11" x 17" x 1.75" (28 x 43 x 4.5cm)
- High-quality 16 gauge cold-rolled steel construction
- Durable black electrostatically applied powder paint finish

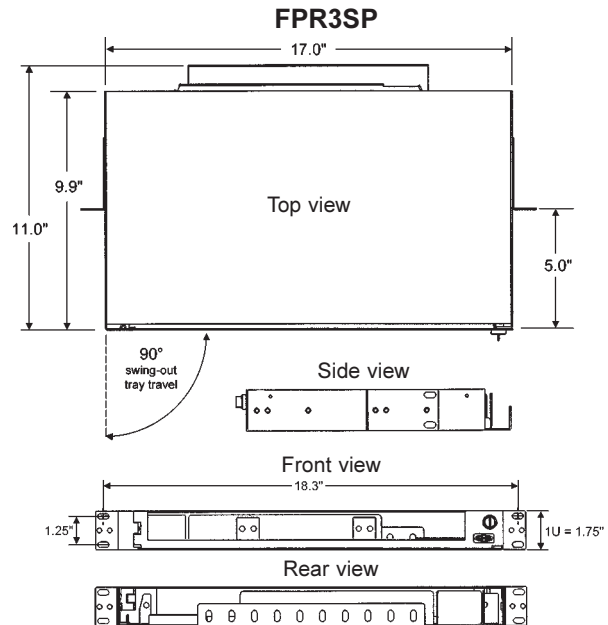
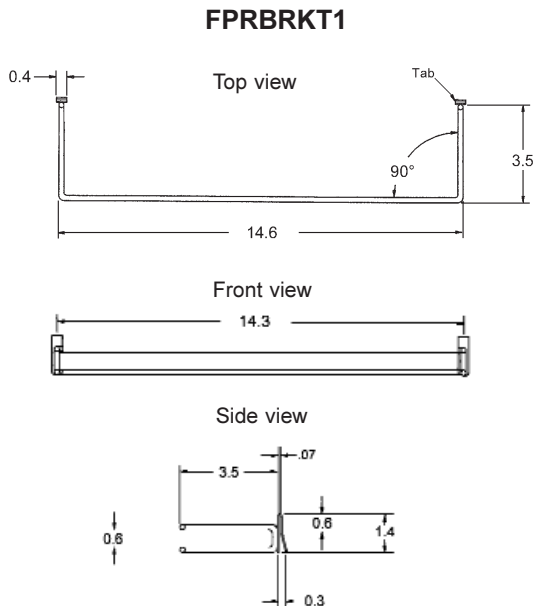


ORDER INFORMATION

The low-profile (1U) 1.75" interconnection shelf conserves rack space and provides substantial port density and superior accessibility to cables, connectors, splices and pigtailed. The hinged interconnection tray "swings out" from the chassis to provide access to the installer

side connections. A splice tray stud, located on the swing-out tray, allows pigtailed splice trays to be installed. The chassis can be mounted in either 19" or 23" racks in either flush or extended configurations.

Order Number	Description	Capacity	Material	Finish	Weight (unloaded)
FPR3SP	18-port Base Unit Interconnection Shelf	Up to 3 Six-Pack adapter panels	16 ga steel	black powder coat	12 lbs.
FPRBRKT1	Cable Management Bracket/Guard	(Optional accessory)	3/16" steel wire	black powder coat	0.4 lbs.



Hubbell Premise Wiring
HUBBELL INCORPORATED (Delaware)

14 Lord's Hill Road • Stonington, CT 06378-0901 • 800-626-0005 • Fax: (860) 535-8328
Internet site: <http://www.hubbell-premise.com>

Worldwide Locations

Hubbell Canada Inc.	905-839-1138	Fax: 905-839-9108	Hubbell Incorporated, Middle East	971-4-369763	Fax: 971-4-360541
Hubbell De Mexico, S.A. De C.V.	5-25-575-2022	Fax: 5-25-559-8626	Hubbell S.E. Asia (Pte.), Ltd.	65-4544772	Fax: 65-4544775
Hubbell Premise Wiring, Latin America	305-251-4236	Fax: 305-251-4087	Hubbell Premise Wiring, Asia Pacific	852-2836-7131	Fax: 852-2836-7132
Hubbell Premise Wiring, Europe	44-1234-855444	Fax: 44-1234-856190	Hubbell Int. Inc. Korea Branch	82-2-607-1362	Fax: 82-2-603-7386
Hubbell Incorporated, Turkey	90-216-414-8147	Fax: 90-216-414-8148	Hubbell Taian Co., Ltd.	886-2-2515-0855	Fax: 886-2-2515-0899