

EasySwing™ WALL-MOUNT RACK

KEY FEATURES

- Swing-out rack-mount frame provides easy access to the rear of installed equipment.
- Fiber and copper ready with 19" EIA threaded equipment mounting rails.
- Easy to ship, inventory and install — ships flat, folds open to mount on the wall.
- Integrated cable management straps included.
- Swing gate can open to the right or to the left.
- Durable, all-steel construction.

APPLICATIONS

- Store and secure network, communications and security equipment within a secure telecommunications or equipment room.
- Networking equipment, security equipment, switches, routers, telephone/voicemail, patch panels or other interconnect equipment.

USE WITH

- Combination Pan Head, Pilot Point Mounting Screws
- Hex Lag Screws and Flat Washers

RELATED ACCESSORIES

- Saf-T-Grip® Cable Management Straps
- Cable management accessories
- Rack-mount power strips
- Rack shelves

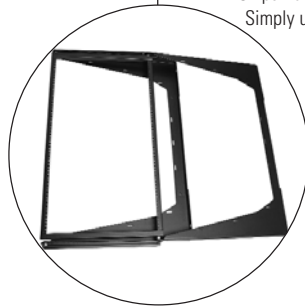
EasySwing Wall-Mount Rack

Available in three heights and four depths



Easy Installation

Ships flat and partially-assembled
Simply unfold, secure corners, install



EasySwing™ Wall-Mount Racks are a family of open wall-mounted 19" EIA swing gate racks available in three heights and four depths. EasySwing Wall-Mount Racks are copper and fiber ready, are easy to install, and provide easy access to the front and rear of equipment. Use EasySwing Wall-Mount Racks to store network, communications and security equipment in telecommunication and equipment rooms or in other rooms where floor space is limited.

EasySwing Wall-Mount Rack ships flat and partially assembled. Assembly is easy — unfold the rack and install one assembly bolt per corner. The frame is punched with keyhole mounting slots located on 18.5" centers. Attach the rack to the wall with 1/4" installation hardware (order separately) EasySwing can swing open to the right or left, simply flip the rack over before securing it to the wall.

EasySwing Wall-Mount Rack supports 19" EIA rack-mount equipment and single-sided shelves. Equipment mounts on a hinged gate. The gate has single-sided rack-mount rails with roll-formed #12-24 threads for attaching equipment. The gate swings open to provide easy access to the rear of equipment during service work. The gate is secured in the closed position with a removable pin that latches through the wall-mount frame.

EasySwing Wall-Mount Rack will support 85 pounds of equipment. Premise cables are guided from the wall to the swing gate with included reusable cable management straps. The straps attach to slots in the frame and support cables as the gate opens and closes. Add other CPI accessories to customize your installation.

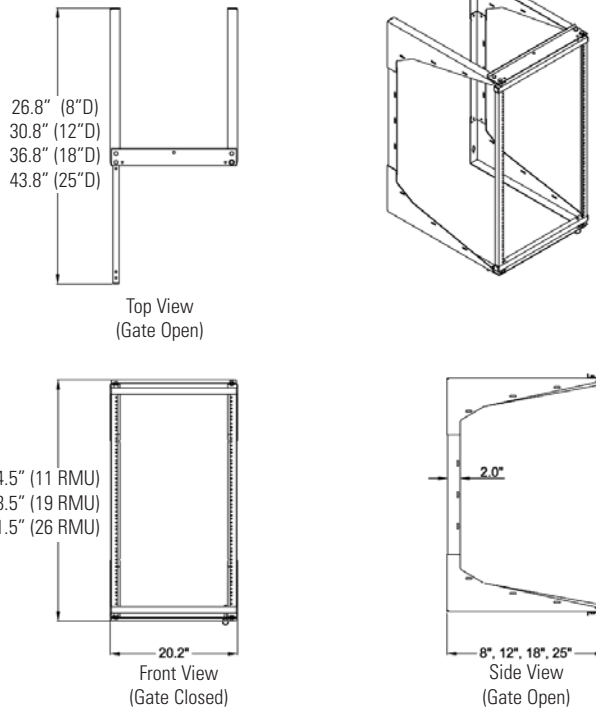
See reverse for product selection. Contact CPI for configuration assistance.



SPECIFICATIONS

- Open wall-mount rack with swing-out rear access to equipment
- For indoor use only, in environmentally controlled areas; may not be used outdoors, in industrial or harsh environments, or in plenum-spaces
- Swing gate is hinged on one side only, wall-mount frame may be installed so that the gate will open to the right or left
- Includes locking latch pin to secure the gate in the closed position
- Available sizes:
Heights: 24.5", 38.5", 51.5"
Widths: 20.2"
Depths: 8", 12", 18", 25"
- Usable rack-mount space:
Heights: 11 RMU, 19 RMU, 26 RMU
Widths: 19"EIA rack-mount
Depths: 6.5", 10.5", 16.5", 23.5"
-Depth limited for swing arc
- Cable management:
Includes (5) 19" L x 1"W reusable cable management straps
Slotted attachment points on frame
- Equipment support:
1 pair L-shaped equipment mounting rails
- 19"W, EIA-310-D compliant
- Universal hole pattern, 5/8"-5/8"-1/2" vertical hole spacing
- Roll-formed #12-24 equipment mounting holes
Includes 12 each #12-24 black equipment mounting screws
- Load capacity:
85 pounds of equipment, open or closed
- Certifications:
EIA-310-D compliant
- Material:
Rack: sheet and tubular steel
Cable management straps: fire-retardant black nylon
- Construction:
Welded and bolted, ships partially-assembled
- Finish:
Epoxy-polyester hybrid powder coat paint
Available in black, gray or computer white

DIMENSIONS



ORDERING INFORMATION

EasySwing Wall-Mount Rack						
Part Number & Color			Height	RMU	Depth	Shipping Weight
Gray	White	Black				
13602-108	13602-208	13602-708	24.5"	11	8"	22 lb
13602-112	13602-212	13602-712	24.5"	11	12"	24 lb
13602-118	13602-218	13602-718	24.5"	11	18"	28 lb
13602-125	13602-225	13602-725	24.5"	11	25"	34 lb
13604-108	13604-208	13604-708	38.5"	19	8"	27 lb
13604-112	13604-212	13604-712	38.5"	19	12"	29 lb
13604-118	13604-218	13604-718	38.5"	19	18"	33 lb
13604-125	13604-225	13604-725	38.5"	19	25"	38 lb
13608-112	13608-212	13608-712	51.5"	26	12"	33 lb
13608-118	13608-218	13608-718	51.5"	26	18"	37 lb

Note: Order 1/4" installation hardware separately.

Accessories		
Part Number	Description	Shipping Weight
Combination Pan Head, Pilot Point, Mounting Screws		
40605-001	#12-24 x 1/2"L, Zinc, Pack of 50	1 lb
40605-005	#12-24 x 1/2"L, Black, Pack of 50	1 lb
Installation Hardware		
02007-004	1/4-10 x 2"L, Hex Lag Screw	1 lb
Single-Sided Universal Horizontal Cable Manager		
30139-719	19"W x 4.96"D, 1 RMU	2 lb
Saf-T-Grip® Strap		
02006-201	Open Loop Series, Pack of 25	1 lb

