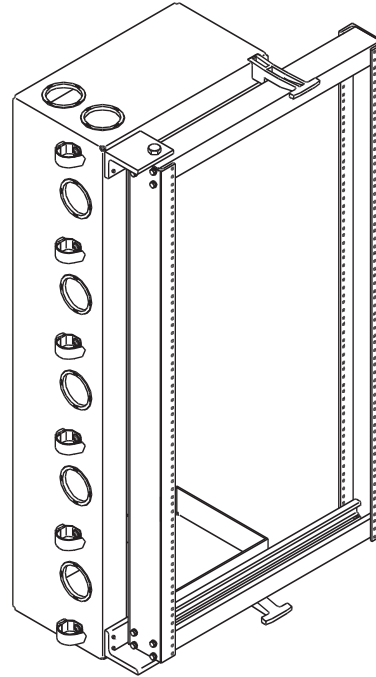


# Product Cut Sheet

## UNIVERSAL SWING GATE RACK

This full-featured swing gate rack offers 150 lb load handling capacity, easy assembly and built-in cable management capabilities.

- 35" (20 RMU) usable mounting height
- 12" or 18" useable depth
- Supports 150 lb of equipment when securely mounted to wall or backboard
- Dual locking latches keep gate securely closed
- Improved cable management with nine cable pass-through ports and six Saf-T-Grip® reusable Velcro® strips
- Made of strong, lightweight aluminum
- Easy assembly using included instructions
- RMU spaces are marked
- Universal 5/8"-5/8"-1/2" alternating mounting hole pattern drilled on both front and back sides
- Gate opens 180 degrees
- 50 #12-24 mounting screws included



<b>113</b>	<b>Universal Swing Gate Rack</b>
------------	----------------------------------

Depth	
47	12 Inches
48	18 Inches

Color	
1	Gray
2	Computer White
5	Clear
7	Black

Panel Width	
19	19 Inches
23	23 Inches

113	XX	-	X	XX
-----	----	---	---	----

Shipping Weight	
11347-X19	24 lb
11347-X23	25 lb
11348-X19	29 lb
11348-X23	30 lb

800-834-4969 in U.S. & Canada • [www.chatsworth.com](http://www.chatsworth.com)



**CHATSWORTH PRODUCTS, INC.**

©2010 Chatsworth Products, Inc. All rights reserved. CPI, CPI Passive Cooling, MegaFrame, Saf-T-Grip, Seismic Frame, SlimFrame, TeraFrame, Cube-IT Plus, Evolution, OnTrac, and QuadraRack are federally registered trademarks of Chatsworth Products, Inc. GlobalFrame, Simply Efficient and Velocity are trademarks of Chatsworth Products, Inc. All other trademarks belong to their respective companies. 12/10